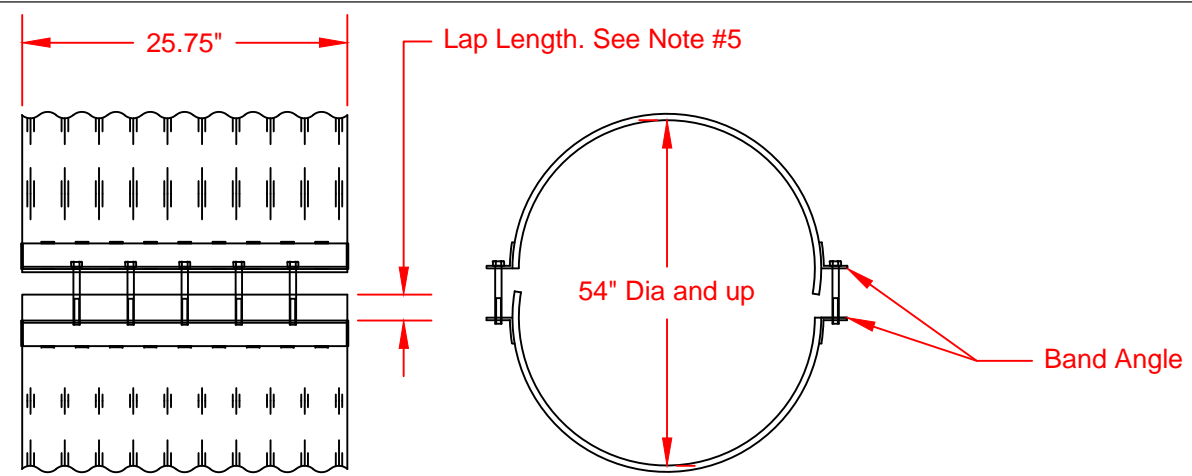
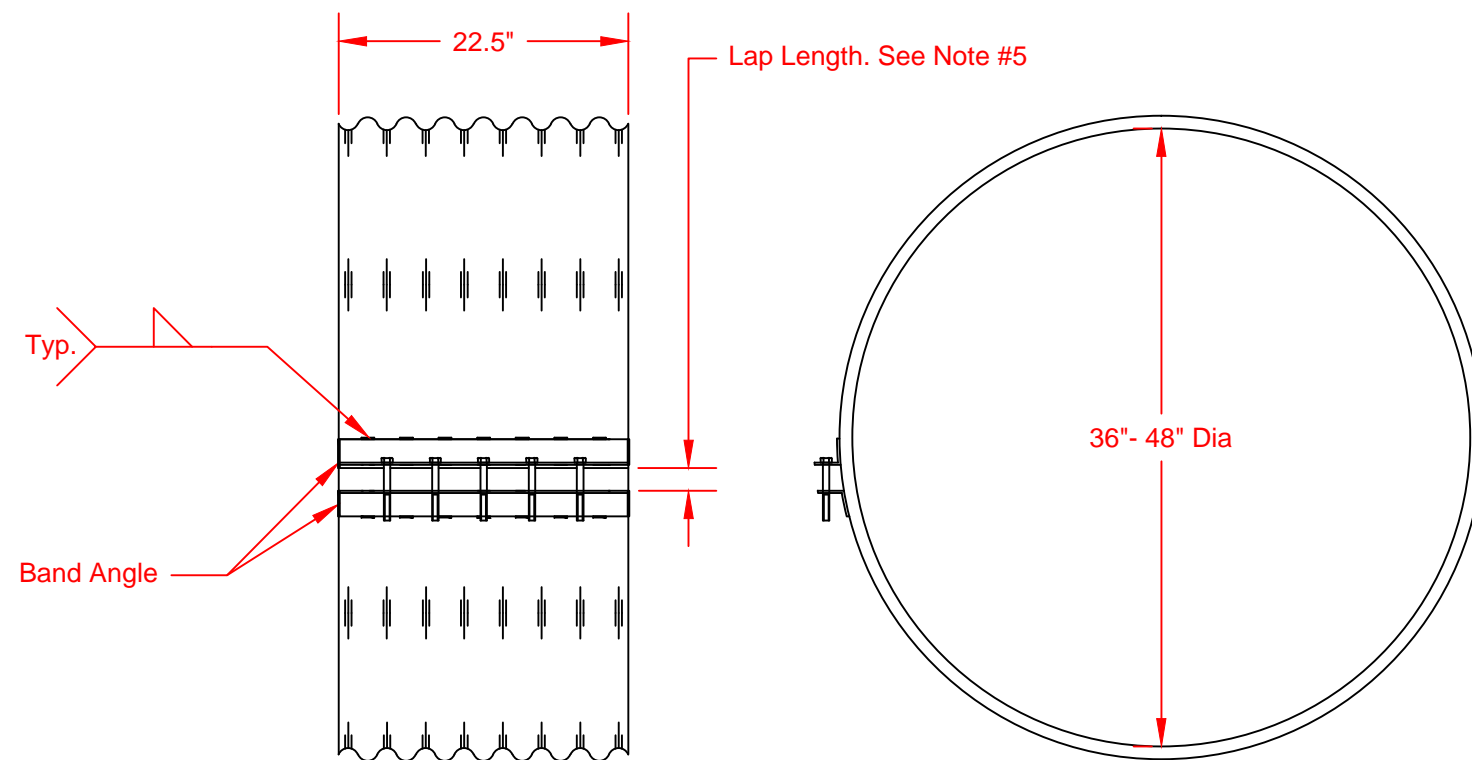


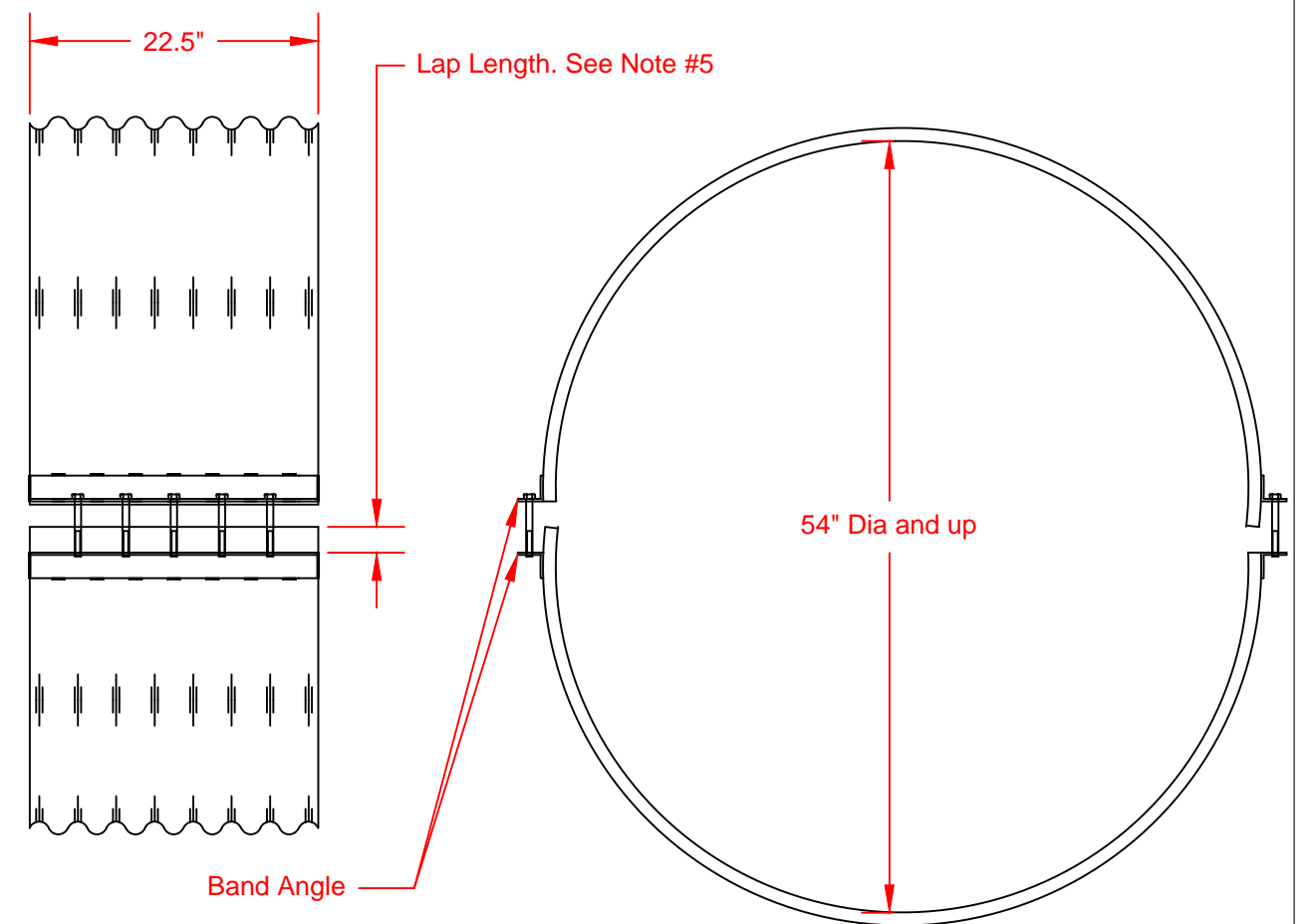
2 2/3" x 1/2" Corrugation 1 Piece Band



2 2/3" x 1/2" Corrugation 2 Piece Band



3" x 1" Corrugation 1 Piece Band



3" x 1" Corrugation 2 Piece Band

Notes:

1. Band angles made from 2"x2"x3/16" angle iron, welded to band at the peak of each corrugation.
2. 1 piece bands in 2 2/3"x1/2" and 3"x1" corrugations are made up 48" diameter.
3. 2 piece bands in 2 2/3"x1/2" and 3"x1" corrugations are made in 54" diameter and larger.
4. 5- 1/2" diameter x 8" long band bolts used per pair of band angles.
5. Lap lengths: 12" dia-30" dia = 3" lap, 36" dia-42" dia = 4" lap, 48" dia and larger = 5" lap.
6. Gauge of bands are 2 gauges lighter than gauge of pipes being joined.

Corrugated Metal Pipe Connecting Band	 METAL CULVERTS INC. Quality products...unequaled Service	Metal Culverts Inc. Corporate/ Midwest Sales Office 2107 Rear Missouri Blvd. P.O..Box 330 Jefferson City, MO 65102 (573)636-7312 Fax:(573)634-8729 sales@metalculverts.com	DPT 9/1/15
Submittal			1 of 1